

SIBERIA

PUMP ACTION SHOTGUN OWNER MANUAL



Read the instructions and warnings in this manual before using this firearm!!!




SIERRA DEFENSE SIBERIA RECOMENDATIONS

- Your Siberia shotgun uses 2 3/4" and 3" shells only.

INTRODUCTION TO SIERRA DEFENSE INDUSTRIES

SIERRA DEFENSE Industries has been associated with the top class manufacturers in the firearms industry and is now exporting firearms to 45 different countries. All firearms are subjected to C.I.P. , SAAMI and TSE testing which ensures the highest quality firearms and an emphasis on safety. Traditional craftsmanship paired with modern technology has resulted in some of the finest firearms on the market today.

SIERRA DEFENSE Industries has built itself around its core philosophy: THE BEST OR NOTHING an emphasis on Research and Development has led to multiple patents as well as stunning and innovative design. We are driven by a continued commitment to design that leads the industry.





QUALITY CERTIFICATES:

ISO 9001:2008 Certificate
European Quality Assurance Certificate
Turkish Standards Intitution Certificate

BASIC SAFETY RULES

1. NEVER POINT A FIREARM AT SOMETHING THAT IS NOT SAFE TO SHOOT.

Never let the muzzle of a firearm point at any part of your body or at another person. This is especially important when loading or unloading the firearm. When you are shooting at a target, know what is behind it. Some bullets can travel over a mile. If you miss your target or if the bullet penetrates the target, it is your responsibility to ensure that the shot does not cause unintended injury or damage.


2. ALWAYS TREAT A FIREARM AS IF IT WERE LOADED.

Never assume that a firearm is unloaded. The only certain way to ensure that a firearm has the chamber empty is to open the chamber and visually and physically examine the inside to see if a round is present.

Removing or unloading the magazine will not guarantee that a firearm is unloaded or can not fire. Shotguns and rifles can be checked by removing all rounds and by then opening and inspecting the chamber so that a visual inspection of the chamber for any remaining rounds can be made.

3. STORE YOUR FIREARM SO THAT CHILDREN CAN NOT GAIN ACCESS TO IT.

It is your responsibility to ensure that children under the age of 18 or other unauthorized persons do not gain access to your firearm. To reduce the risk of accidents involving children, unload your firearm, lock it and store the ammunition in a separate locked location.



Please note that devices intended to prevent accidents – for example, cable locks, chamber plugs, etc, – may not prevent use or misuse of your firearm by a determined person. Firearm storage in a steel gun safe may be more appropriate to reduce the likelihood of intentional misuse of a firearm by an unauthorized child or person.

4. NEVER SHOOT AT WATER OR AT A HARD SURFACE.

Shooting at the surface of water or at a rock or other hard surface increases the chance of ricochets or fragmentation of the bullet or shot, which can result in the projectile striking an unintended or peripheral target.

5. KNOW THE SAFETY FEATURES OF THE FIREARM YOU ARE USING, BUT REMEMBER: SAFETY DEVICES ARE NOT A SUBSTITUTE FOR SAFE HANDLING PROCEDURES.

Never rely solely on a safety device to prevent an accident. It is imperative that you know and use the safety features of the particular firearm you are handling, but accidents can best be prevented by following the safe handling procedures described in these safety rules and elsewhere in the product manual. To further familiarize yourself with the proper use of this or other firearms, take a Firearms Safety Course taught by an expert in firearms use and safety procedures.

6. PROPERLY MAINTAIN YOUR FIREARM.

Store and carry your firearm so that dirt or lint does not accumulate in the working parts. Clean and oil your firearm, following the instructions provided in this manual, after each use to prevent corrosion, damage to the barrel or accumulation of impurities which can prevent use of the gun in an emergency. Before loading your firearm, always check the barrel internal part and the chamber to ensure that they are clean and free from obstructions. Firing with an obstruction in the barrel or chamber can rupture the barrel and injure you or others nearby. In the event you hear an unusual noise when shooting, stop firing immediately, engage the manual safety and unload the firearm. Make sure the chamber and barrel are free from any obstruction, like a bullet blocked inside the barrel due to defective or improper ammunition.

7. USE PROPER AMMUNITION.

Only use factory loaded, new ammunition manufactured to industry specifications: CIP (Europe and elsewhere), SAAMI® (U.S.A.). Be certain that each round you use is in the proper caliber or gauge and type for the particular firearm. The caliber or gauge of the firearm is clearly marked on the barrels of shotguns and on the slide or barrel of pistols. The use of reloaded or remanufactured ammunition can increase the likelihood of excessive cartridge pressures, case head ruptures or other defects in the ammunition that can cause damage to your firearm and injury to yourself or others nearby.

8. ALWAYS WEAR PROTECTIVE GLASSES AND EARPLUGS WHEN SHOOTING.

The chance that gas, gunpowder or metal fragments will blow back and injure a shooter who is firing a gun is rare, but the injury that can be sustained in such circumstances can be severe, including the possible loss of eye sight. A shooter must always wear impact resistant shooting glasses when firing any firearm. Earplugs or other high quality hearing protectors help reduce the chance of hearing damage from shooting.

9. NEVER CLIMB A TREE, FENCE OR OBSTRUCTION WITH A LOADED FIREARM.

Open and empty the chamber of your firearm and engage the manual safety catch before climbing or descending a tree or before climbing a fence or jumping over a ditch or other obstruction.

Never pull or push a loaded firearm toward yourself or another person. Always unload the firearm, visually and physically check to see that the magazine, loading mechanism and chamber are unloaded and that the bolt is open before handing the firearm to another person. Never take a firearm from another person unless it is unloaded, visually and physically checked to confirm it is unloaded, and the action is open.

10. AVOID ALCOHOLIC BEVERAGES OR JUDGMENT/REFLEX IMPAIRING MEDICATION WHEN SHOOTING.

Do not drink alcohol and shoot. If you take medication that can impair motor reactions or judgment, do not handle a firearm while you are under the influence of the medication.

11. NEVER TRANSPORT A LOADED FIREARM.

Always unload your firearm before transporting absolutely.

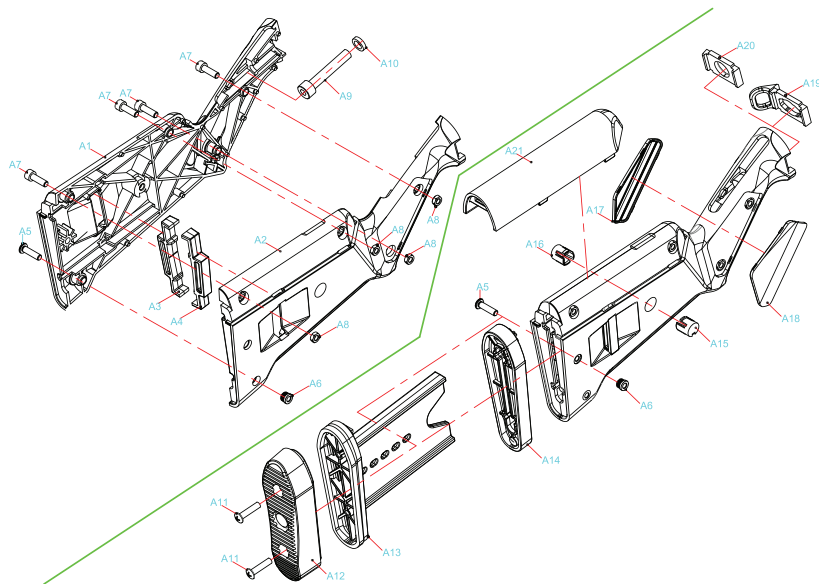
WE SPECIFICALLY DISCLAIM ANY RESPONSIBILITY FOR DAMAGE OR INJURY OCCURRING IN CONNECTION WITH, OR AS A RESULT OF THE USE OF FAULTY, OR "REMANUFACTURED," OR HAND-LOADED (RELOADED) AMMUNITION. ADDITIONALLY, WE DISCLAIM ANY RESPONSIBILITY FOR DAMAGE OR INJURY WHICH RESULTS FROM ANY MODIFICATIONS OR CHANGES THAT ARE NOT A PART OF THE FIREARM AS DELIVERED FROM THE FACTORY.

CONGRATULATIONS!!!

Learn to clean your firearm thoroughly and make certain no oil, grease, or other materials are blocking the barrel. Obstructions of any kind can cause damage to the firearm, and may result in serious personal injury to the shooter and/or others nearby. Practice proper firearm maintenance and safety. Make sure all exposed metal surfaces are coated with a thin film of oil, especially after exposure to damp weather. (See proper section of this manual for cleaning instructions. Do not plug barrel or store in a fabric-lined case which will absorb lubricants from the firearm. Before using after storage, follow complete instructions stated in this manual to refamiliarize with the firearm. A thorough inspection should be performed before going into the field. Have your firearm periodically checked by a qualified gunsmith. You are now the owner of the SIERRA DEFENSE SIBERIA PUMP ACTION 12 gauge shotgun. Your shotgun has an innovative design and is manufactured from high quality materials. With regularly performed maintenance and the use of proper ammunition it will provide you with many years of service. In order to achieve the best performance and reliability from your shotgun, please read and fully understand all of the instructions, safety guidelines, and warnings carefully in this manual. Your shotgun is reliable and safe unless it is handled in a careless or irresponsible manner.

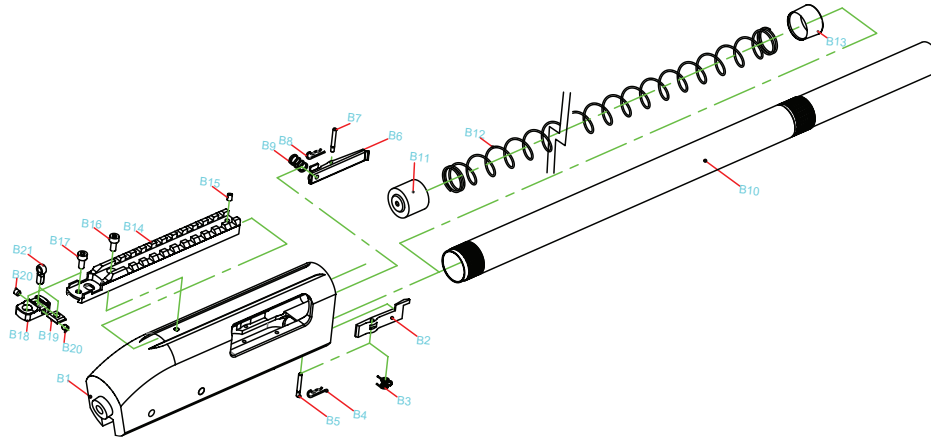
REMEMBER: it is imperative that the firearm handler be fully educated and conscious of the importance of executing proper gun safety rules when operating any firearm.

Before using or firing with any live ammunition you should know and fully understand your shotgun's parts, function, and operating mechanisms. So carefully read and fully understand all of the information about the parts and procedures of using the shotgun safely and effectively.



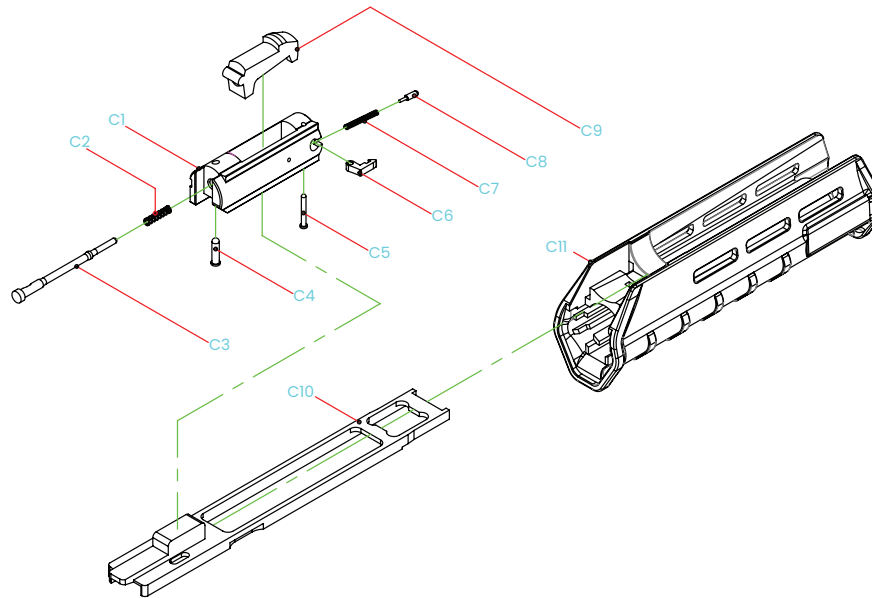
A1	BODY LEFT
A2	BODY RIGHT
A3	SLING POINT LEFT
A4	SLING POINT RIGHT
A5	DOWN FIX SCREW
A6	DOWN FIX NUT
A7	BODY FIX SCREW
A8	BODY FIX NUT
A9	STOCK BOLT SCREW
A10	STOCK BOLT WASHER

A11	BUTT PAD SCREW
A12	RUBBER BUTT PAD
A13	BUTT PAD ADAPTER
A14	SPACER KIT
A15	SLING MOUNT CAP LEFT
A16	SLING MOUNT CAP RIGHT
A17	STOCK CAP LEFT
A18	STOCK CAP RIGHT
A19	RECEIVER SLING MOUNT
A20	RECEIVER SLING MOUNT
A21	CHEEK RISER KIT

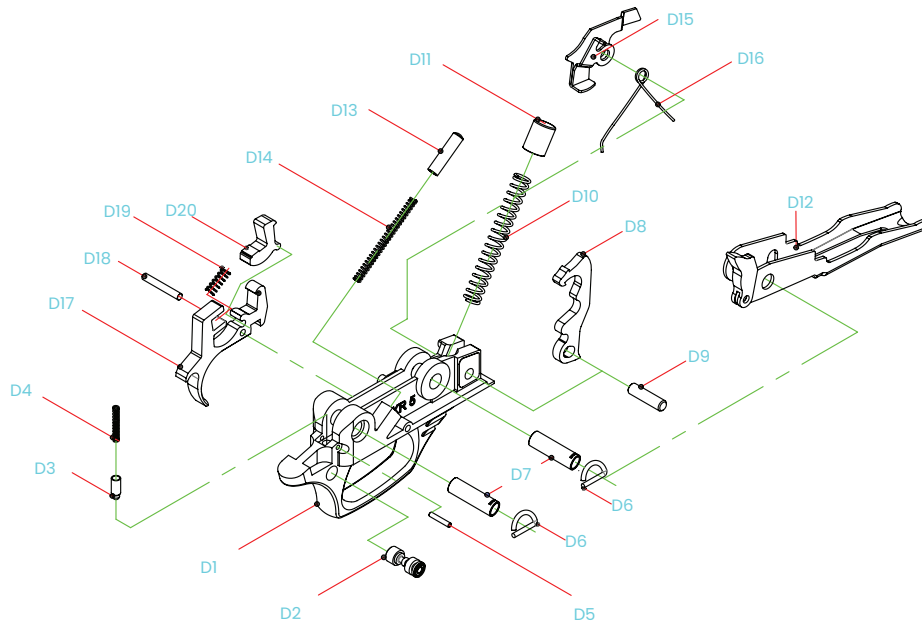


B1	RECEIVER
B2	SHELL HOLDER
B3	SHELL HOLDER SPRING
B4	SHELL HOLDER SEGMAN
B5	SHELL HOLDER PIN
B6	CARRIER LATCH
B7	CARRIER LATCH PIN
B8	CARRIER LATCH SEGMAN
B9	CARRIER LATCH SPRING
B10	MAGAZINE TUBE

B11	MAGAZINE FOLLOWER
B12	MAGAZINE SPRING
B13	MAGAZINE CAP
B14	PICATINNY RAIL
B15	RAIL SCREW
B16	RAIL FIX SCREW
B17	RAIL FIX SCREW
B18	REAR SIGHT
B19	SIGHT ADJUST KIT
B20	ADJUST FIX SCREW
B21	GHOST SIGHT

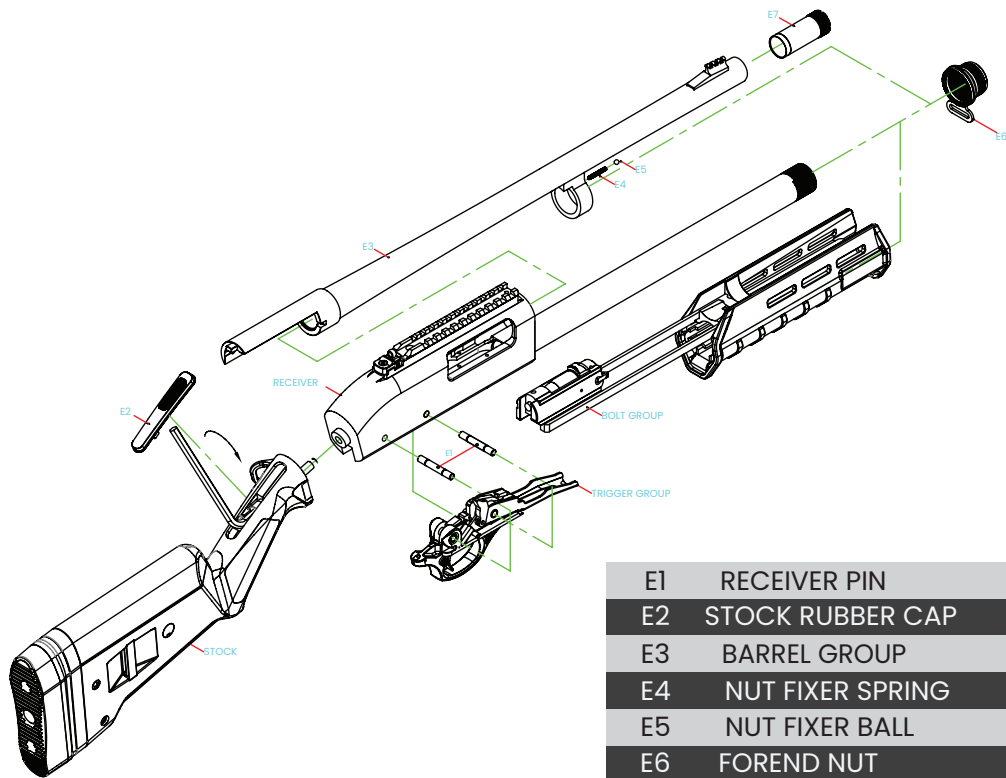


C1	BOLT BODY	C7	EXTRACTOR SPRING
C2	FIRING PIN SPRING	C8	EXTRACTOR SPRING PIN
C3	FIRING PIN	C9	LOCKING BLOCK
C4	FIRING PIN RETAINER PIN	C10	BOLT CARRIER
C5	EXTRACTOR PIN	C11	FOREND
C6	EXTRACTOR	C12	PISTOL GRIP



D1	TRIGGER GUARD
D2	SAFETY BUTTON
D3	S.B. DETENT PIN
D4	S.B. DETENT SPRING
D5	S.B. RETANIER PIN
D6	TRIGGER PLATE SEGMAN
D7	TRIGGER PLATE BUSHING
D8	HAMMER
D9	HAMMER FIXER PIN
D10	HAMMER SPRING

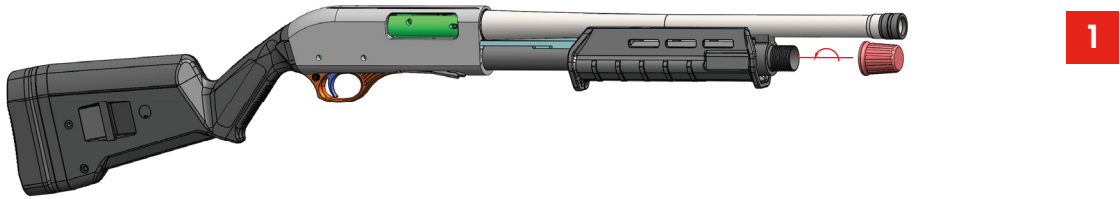
D11	HAMMER SPRING PLUNGER
D12	SHELL CARRIER
D13	CARRIER DOG PIN
D14	CARRIER DOG SPRING
D15	ACTION BAR LOCK
D16	ACTION BAR LOCK SPRING
D17	TRIGGER
D18	TRIGGER PIN
D19	TRIGGER SEAR SPRING
D20	TRIGGER SEAR



- | | |
|----|------------------|
| E1 | RECEIVER PIN |
| E2 | STOCK RUBBER CAP |
| E3 | BARREL GROUP |
| E4 | NUT FIXER SPRING |
| E5 | NUT FIXER BALL |
| E6 | FOREND NUT |
| E7 | MOBILE CHOKE |

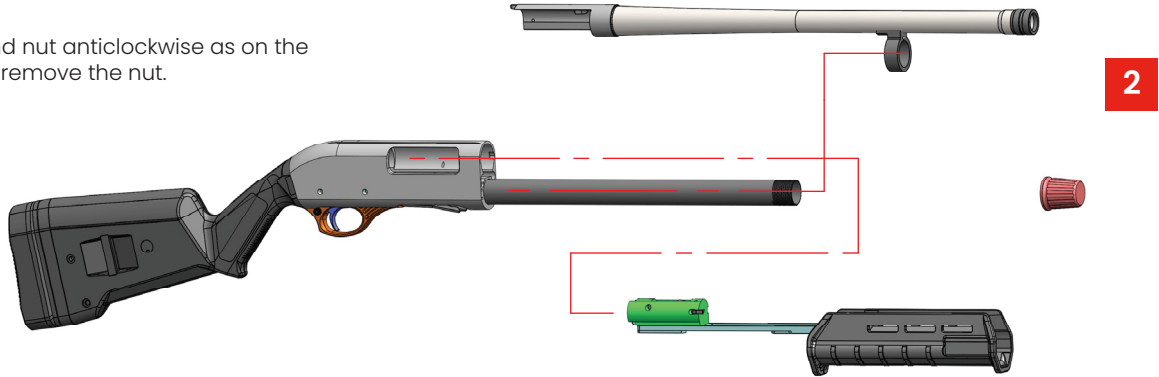
WARNING

Be sure your gun does not have any ammunition in the magazine or chamber for your safety. while you are doing maintenance to your gun. If you need to disassemble bolt group you can follow these steps as in the figures.



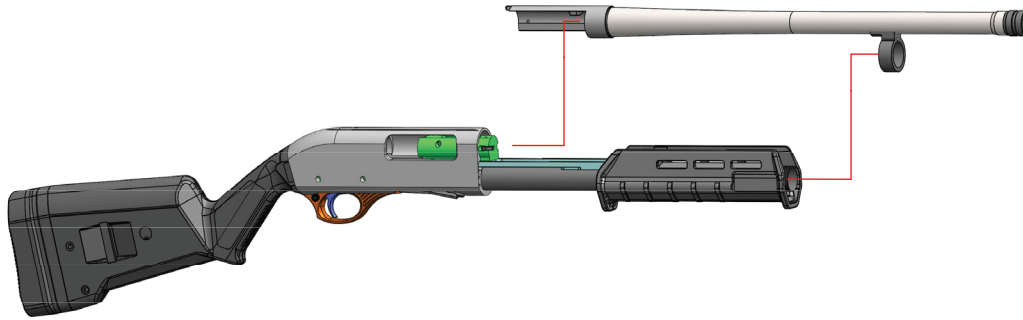
STEP 1

Turn the forend nut anticlockwise as on the diagram and remove the nut.



STEP 1

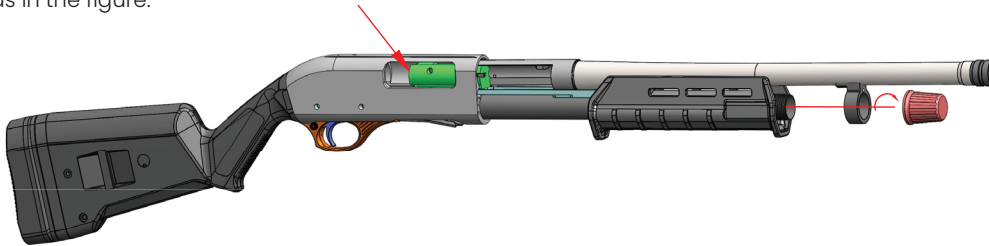
You can now remove the barrel . forend and bolt assembly by sliding them forward in a line as in the diagram.Now you can do maintenance of your gun easily.



3

STEP 3

After doing maintenance you can assemble the forend with bolt group as in the figure.



4

STEP 4

The bolt needs to be stabilized as in the figure for easy assembling of barrel group, then bring the barrel group to the position of diagram. Now you will be able to assemble barrel group and bolt group together easily by sliding to direction of stock. Then tighten the forend nut clockwise to fix all parts of your gun.

MOBILE CHOKE USAGE FOR SIERRA DEFENSE SIBERIA PUMP ACTION SHOTGUN

Choke Replacement Instructions For Your Product ;

WARNING: Make sure that your shotgun is not loaded and in safety while reassembling or disassembling chokes.

WARNING: During the choke changing procedure, make sure that the choke and the bearing of the choke of the shotgun is completely clean.

Otherwise, your barrel can deform during firing.

- When chokes need to be changed, remove the choke on it by using the choke changing wrench provided along with the product.
- If the thread of the choke is dirty clean it with chemical substance (solvent) and synthetic brushes.
- Use the choke wrench for the new choke to be fitted, tighten clockwise and ensure that all of the thread is fully seated.

WARNING: When reassembling do not tighten unless you make sure that the thread of the choke absolutely mated with the thread of the barrel.

WARNING: in order to make sure that the chokes have been fully tightened you should see no protrusion out of the tip of the barrel. Figure 15

choke of number 3

- Do not shoot without a choke in order to avoid damaging the barrel and thread of choke.
- Never look into the muzzle to see the choke number when your shotgun is full.
- Before shooting, make sure that the choke has been tightened well. Check it back after a few shots.
- Do not use a different tool or a spanner for removal and installation of choke, except your choke wrench produced and provided by

SIERRA DEFENSE

- Never fire a single bullet or slugs with the chokes No 1, 2, 3,4
- You can look at the notches on the screw side in order to see the

choke number. (Figure 15)

- Remove and clean the choke after shooting during maintenance. After having lubricated, the threads continue with the assembly.
- Do not fire steel pellets with the chokes No 1, 2, 3,4

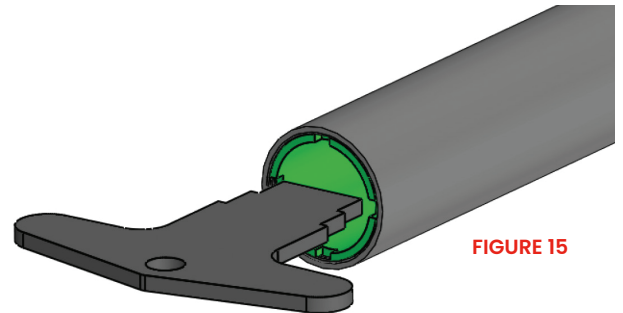
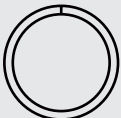

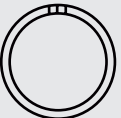
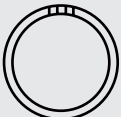
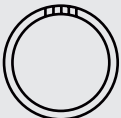


FIGURE 15

CHOKE TYPES AND BENEFICIAL USAGE

WARNING: When Shooting slugs or buckshort use only the #5 choke

CHOKE TYPE	SYMBOL	GAME	PELLET SIZE	USEFUL SHOOTING DISTANCE
* 1 FULL		Goose, Duck, Wood Grouse. For long range hunting with lead shot and tight groups	1-2-3 Single Bullet ✗ Slug ✗ Steel Shot ✗	55-65 Yards (50-60 Metres)
** 2 IMPROVED MODIFIED		Duck, Pheasant, Wood Grouse, Rabbit	4-5-6 Single Bullet ✗ Slug ✗ Steel Shot ✗	45-50 Yards (41-44 Metres)
*** 3 MODIFIED		Partridge, Pheasant, Ouzail, Pigeons, Woodcock For long range hunting with lead shot and tight groups.	5-6-7-8 Single Bullet ✗ Slug ✗ Steel Shot ✓	38-43 Yards (35-41 Metres)
**** 4 IMPROVED CYLINDER		Ouzail, Dove and target shooting For shooter distance more open shooting	7-8-9-10-11-12 Single Bullet ✗ Slug ✗ Steel Shot ✓	32-38 Yards (30-35 Metres)
***** 5 CYLINDER		For sporting clay and skeet shooting. Short distances more open shooting.	7-8-9-10-11-12 Single Bullet ✓ Slug ✓ Steel Shot ✓	22-32 Yards (20-30 Metres)

MAINTENANCE AND CLEANING

LUBRICATION WARNING: Firing a shotgun with oil, grease, or other debris partially obstructing the bore may result in damage to the firearm or injury to the shooter and those nearby. Before firing make sure the bore and chamber of the barrel is unobstructed and dry. Never spray or apply lubricant on shotshells. Firing another shotshell behind an obstruction may damage the shotgun and cause death or injury. Only use lubricants properly and sparingly. You are responsible for the proper care and maintenance of your shotgun.

1. Disassemble your shotgun.

2. Using a proper cleaning rod, run a solvent-wetted patch through the bore several times. This will then be followed by running dry patches through the bore to remove any debris or residue.

3. If the bore is leaded to the extent that the above patch cleaning procedure did not remove the lead, then scrub the bore full length with a solvent-wetted brass bristle brush. When the leading is loose then repeat step #2.

4. The surfaces of bolt carrier, ejector, and inside surfaces of the receiver should be coated very lightly with non-penetrating lubricating oil.

5. Reassemble the shotgun and wipe the exterior metal surfaces sparingly with an oiled cloth. Swab the bore with an oily patch before storing the firearm.

6. Place the shotgun in a safe, locked storage space where unauthorized persons cannot access the firearm. Never store the shotgun in a leather case as leather attracts moisture even though it may appear dry.

7. Never fire your gun without choke tubes snugly tightened in barrels. Do not over tighten choke tubes. Wipe all exposed metal surfaces with an oiled cloth before storing. Do not squirt or pour oil into the inside mechanism because it may cause deformation.



SERVICE AGREEMENT AND LIMITED WARRANTY

IMPORTANT WARNING:


In case of a malfunction with your firearm, after taking safety precautions, you can contact our authorized dealer for detailed assistance regarding the malfunction.

IMPORTANT WARNING:

If the malfunction in your firearm is not resolved, you can call our factory technical service at +90 544 672 97 95 for remote assistance or e-mail us at info@sierradefense.com.

IMPORTANT WARNING:

If, after contacting our factory technical service, a malfunction occurs that requires the product to be sent for service, please fill out the form according to the instructions given by our technical service representative and send it to the specified address using our company's Aras Kargo contract code. Include a copy of the official warranty certificate filled out and stamped by our authorized dealer, along with copies of the invoice and license. Shipping costs for products sent to the factory technical service under warranty will be covered by our company if sent with our contracted shipping company. (Shipping costs for out-of-warranty products will be covered by the user. For products still under warranty, shipping costs for malfunctions caused by the customer are the responsibility of the user.)





When shooting or hunting always acquire the permission of the landowner. Respect the land. Do not litter, use gates when possible, leave closed gates closed. Drive vehicles only where advance permission has been granted and always express gratitude for use of another persons land. Offer your labor or game as repayment for the privilege of use. Remember you are helping develop a reputation for all sportsmen/sportswomen.



SIERRA
DEFENSE
★ USA ★

sierradefenseusa.com



Printed on ecological paper using solar energy