

HURRICANE SX12

MAGAZINE FED SEMI AUTO SHOTGUN OWNER MANUAL



SIERRA
DEFENSE

Read the instructions and warnings in this manual before using this firearm!!!

BASIC SAFETY RULES

1. NEVER POINT A FIREARM AT SOMETHING THAT IS NOT SAFE TO SHOOT.

Never let the muzzle of a firearm point at any part of your body or at another person. This is especially important when loading or unloading the firearm. When you are shooting at a target, know what is behind it. Some bullets can travel over a mile. If you miss your target or if the bullet penetrates the target, it is your responsibility to ensure that the shot does not cause unintended injury or damage.

2. ALWAYS TREAT A FIREARM AS IF IT WERE LOADED.

Never assume that a firearm is unloaded. The only certain way to ensure that a firearm has the chamber empty is to open the chamber and visually and physically examine the inside to see if a round is present. Unloading the magazine only will not guarantee that a firearm is unloaded or can not fire. Shotguns and rifles can be checked by removing all rounds and by then opening and inspecting the chamber for visual inspection of the chamber for any remaining rounds.

3. STORE YOUR FIREARM SO THAT CHILDREN CAN NOT GAIN ACCESS TO IT.

It is your responsibility to ensure that children under the age of 18 or other unauthorized persons do not gain access to your firearm. To reduce the risk of accidents involving children, unload your firearm, lock it and store the ammunition in a separate locked location. Please note that devices intended to prevent accidents - for example, cable locks, chamber plugs, etc, - may not prevent use or misuse of your firearm storage in a steel gun safe may be more appropriate to reduce the likelihood of intentional misuse of a firearm by an unauthorized child or person.

4. NEVER SHOOT AT WATER OR AT A HARD SURFACE.

Shooting at the surface of water or at a rock or other hard surface increases the chance of ricochets or fragmentation of the bullet or shot, which can result in the projectile striking an unintended or peripheral target.

5. KNOW THE SAFETY FEATURES OF THE FIREARM YOU ARE USING, BUT REMEMBER: SAFETY DEVICES ARE NOT A SUBSTITUTE FOR SAFE HANDLING PROCEDURES.

Never rely solely on a safety device to prevent an accident. It is imperative that you know and use the safety features of the particular firearm you are handling, but accidents can best be prevented by following the safe handling procedures described in these safety rules and elsewhere in the product manual. To further familiarize yourself with the proper use of this or other firearms, take a Firearms Safety Course taught by an expert in firearms use and safety procedures.

6. PROPERLY MAINTAIN YOUR FIREARM.

Store and carry your firearm so that dirt or lint does not accumulate in the working parts. Clean and oil your firearm, following the instructions provided in this manual, after each use to prevent corrosion, damage to the barrel or accumulation of impurities which can prevent use of the gun in an emergency. Before loading your firearm, always check the barrel internal part and the chamber to ensure that they are clean and free from obstructions. Firing with an obstruction in the barrel or chamber can rupture the barrel and injure you or others. In the event you hear an unusual noise when shooting, stop firing immediately, engage the manual safety and unload the firearm. Make sure the chamber and barrel are free from any obstruction, like a bullet blocked inside the barrel due to defective or improper ammunition.

7. USE PROPER AMMUNITION.

Only use factory loaded, new ammunition manufactured to industry specifications: CIP (Europe and elsewhere), SAA-MI® (U.S.A.). Be certain that each round you use is in the proper caliber or gauge and type for the particular firearm. The caliber or gauge of the firearm is clearly marked on the barrels of shotguns and on the slide or barrel of pistols. The use of reloaded or remanufactured ammunition can increase the likelihood of excessive cartridge pressures, case head ruptures or other defects in the ammunition that can cause damage to your firearm and injury to yourself or others nearby.

8. ALWAYS WEAR PROTECTIVE GLASSES AND EARPLUGS WHEN SHOOTING.

The chance that gas, gunpowder or metal fragments will blow back and injure a shooter who is firing a gun is rare, but the injury that that can be sustained in such circumstances can be severe, including the possible loss of eye sight. A shooter must always wear impact resistant shooting glasses when firing any firearm. Earplugs or other high quality hearing protectors help reduce the chance of hearing damage from shooting.

9. NEVER CLIMB A TREE, FENCE OR OBSTRUCTION WITH A LOADED FIREARM.

Open and empty the chamber of your firearm and engage the manual safety catch before climbing or descending a tree or before climbing a fence or jumping over a ditch or other obstruction. Never pull or push a loaded firearm toward yourself or another person. Always unload the firearm, visually and physically check to see that the magazine, loading mechanism and chamber are unloaded and that the bolt is open before handing the firearm to another person. Never take a firearm from another person unless it is unloaded, visually and physically checked to confirm it is unloaded, and the action is open.

10. AVOID ALCOHOLIC BEVERAGES OR JUDGEMENT/REFLEX IMPAIRING MEDICATION WHEN SHOOTING.

Do not drink alcohol and shoot. If you take medication that can impair motor reactions or judgment, do not handle a firearm while you are under the influence of the medication.

11. NEVER TRANSPORT A LOADED FIREARM.

Always unload your firearm before transporting.

WE SPECIFICALLY DISCLAIM ANY RESPONSIBILITY FOR DAMAGE OR INJURY OCCURRING IN CONNECTION WITH, OR AS A RESULT OF THE USE OF FAULTY, OR "REMANUFACTURED," OR HAND-LOADED(RELOADED) AMMUNITION. ADDITIONALLY, WE DISCLAIM ANY RESPONSIBILITY FOR DAMAGE OR INJURY WHICH RESULTS FROM ANY MODIFICATIONS OR CHANGES THAT ARE NOT A PART OF THE FIREARM AS DELIVERED FROM THE FACTORY.

CONGRATULATIONS!!!

Learn to clean your firearm thoroughly and make certain no oil, grease, or other materials are blocking the barrel. Obstructions of any kind can cause damage to the firearm, and may result in serious personal injury to the shooter and/or others nearby. Practice proper firearm maintenance and safety. Make sure all exposed metal surfaces are coated with a thin film of oil, especially after exposure to damp weather. (See proper section of this manual for cleaning instructions. Do not plug barrel or store in a fabric-lined case which will absorb lubricants from the firearm. Before using after storage, follow complete instructions stated in this manual to refamiliarize with the firearm. A thorough inspection should be performed before going into the field. Have your firearm periodically checked by a qualified gunsmith. You are now the owner of the SIERRA DEFENSE HURRICANE SEMI AUTOMATIC 12 gauge shotgun. Your shotgun has an innovative design and is manufactured from high quality materials. With regularly performed maintenance and the use of proper ammunition it will provide you with many years of service. In order to achieve the best performance and reliability from your shotgun, please read and fully understand all of the instructions, safety guidelines, and warnings carefully in this manual. Your shotgun is reliable and safe unless it is handled in a careless or irresponsible manner.

REMEMBER: it is imperative that the firearm handler be fully educated and conscious of the importance of executing proper gun safety rules when operating any firearm. Before using or firing with any live ammunition you should know and fully understand your shotgun's parts, function, and operating mechanisms. So carefully read and fully understand all of the information about the parts and procedures of using the shotgun safely and effectively.

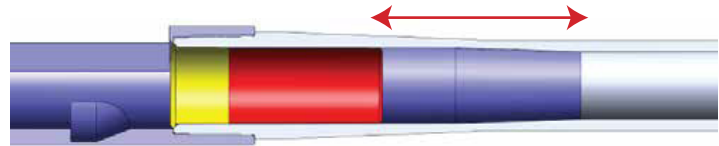
CLASSIC SHORT MERGER FUNNEL

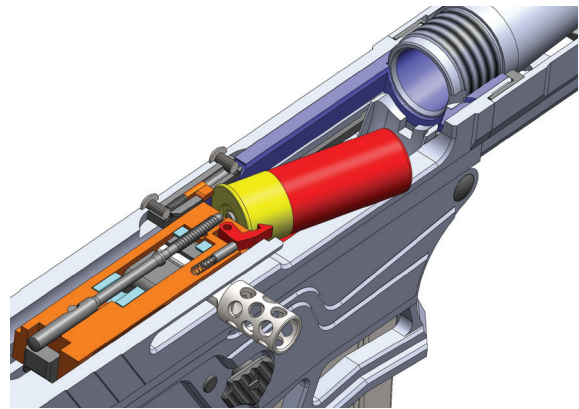
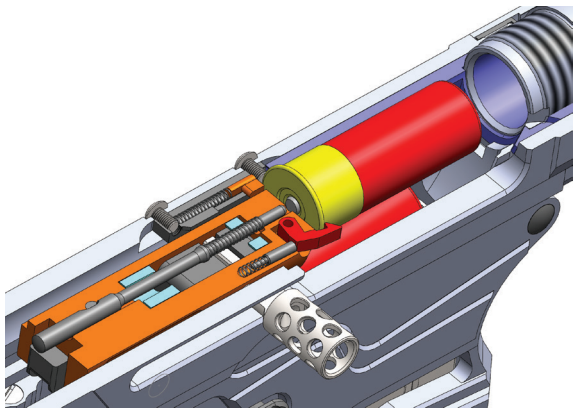
The classic style short mating funnel leads to higher recoil and surge, which reduces the users' focus on the target and shooting performance.



HURRICANE SX12 SPECIAL DESIGN LONG MERGING FUNNEL

The user's shooting performance and target stabilization have been made more comfortable by minimizing the pitching and recoil compared to ordinary gun barrels.

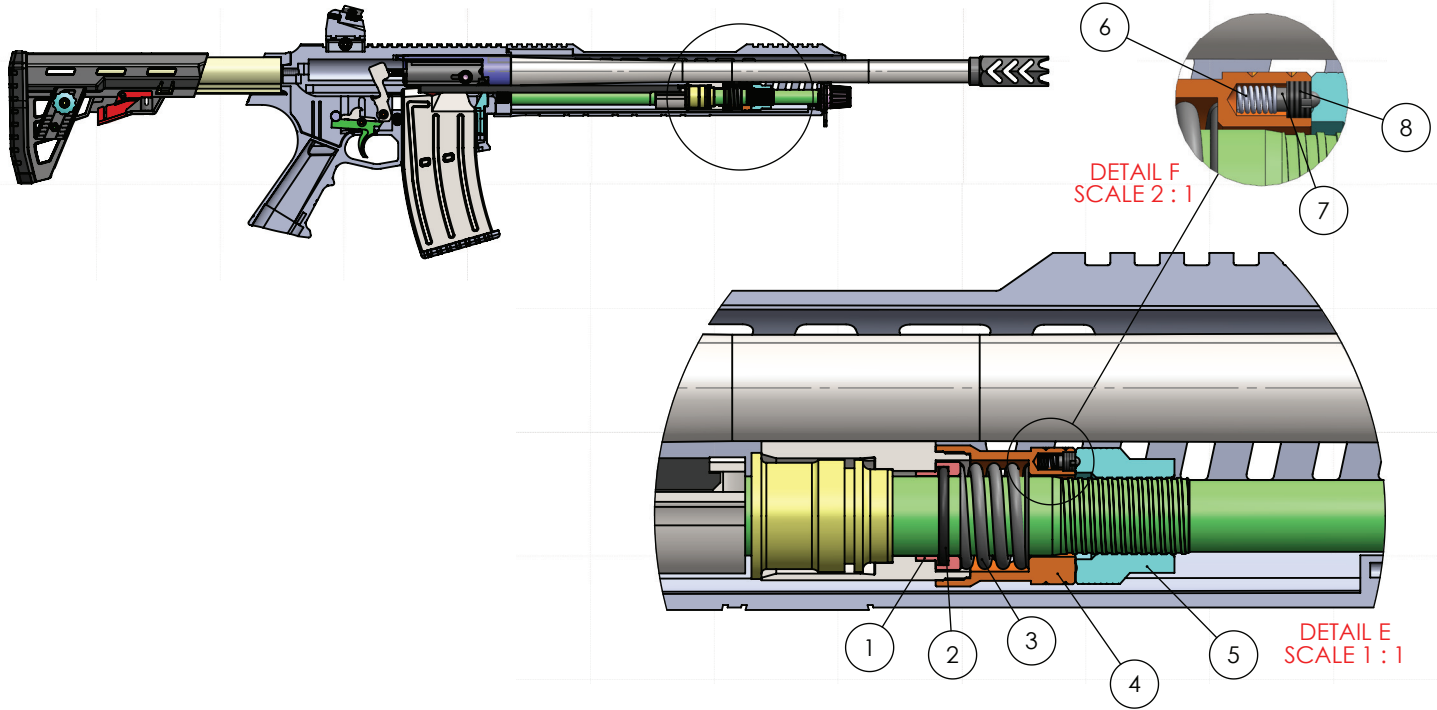


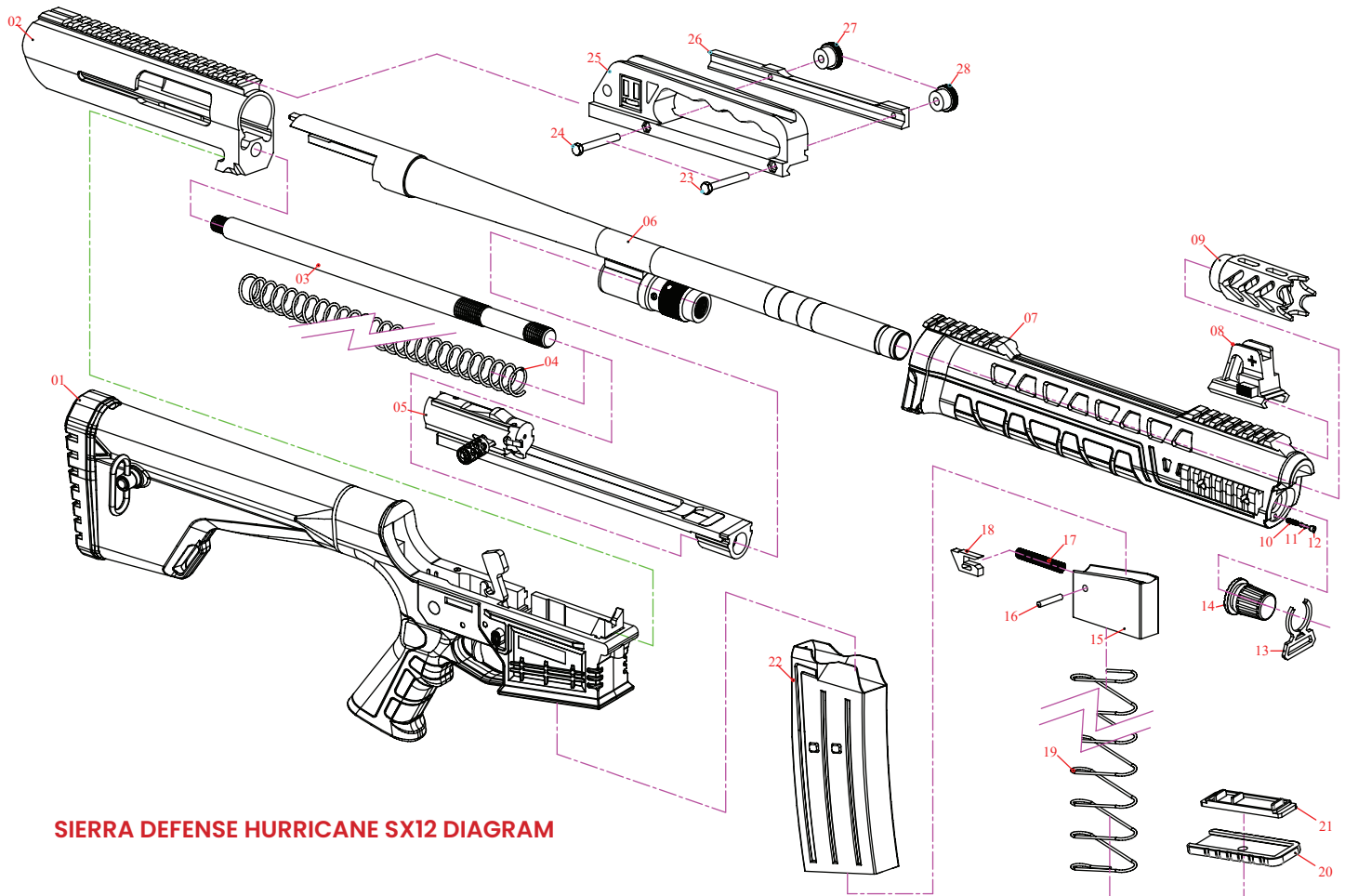


HURRICANE SX12 SPRING-LOADED MISSILE LAUNCHER SYSTEM

This system in your HURRICANE SX12 was designed by Sierra Defense to allow users to more easily and accurately eject cartridges of different sizes and weights.

HURRICANE SX12 GAS SYSTEM

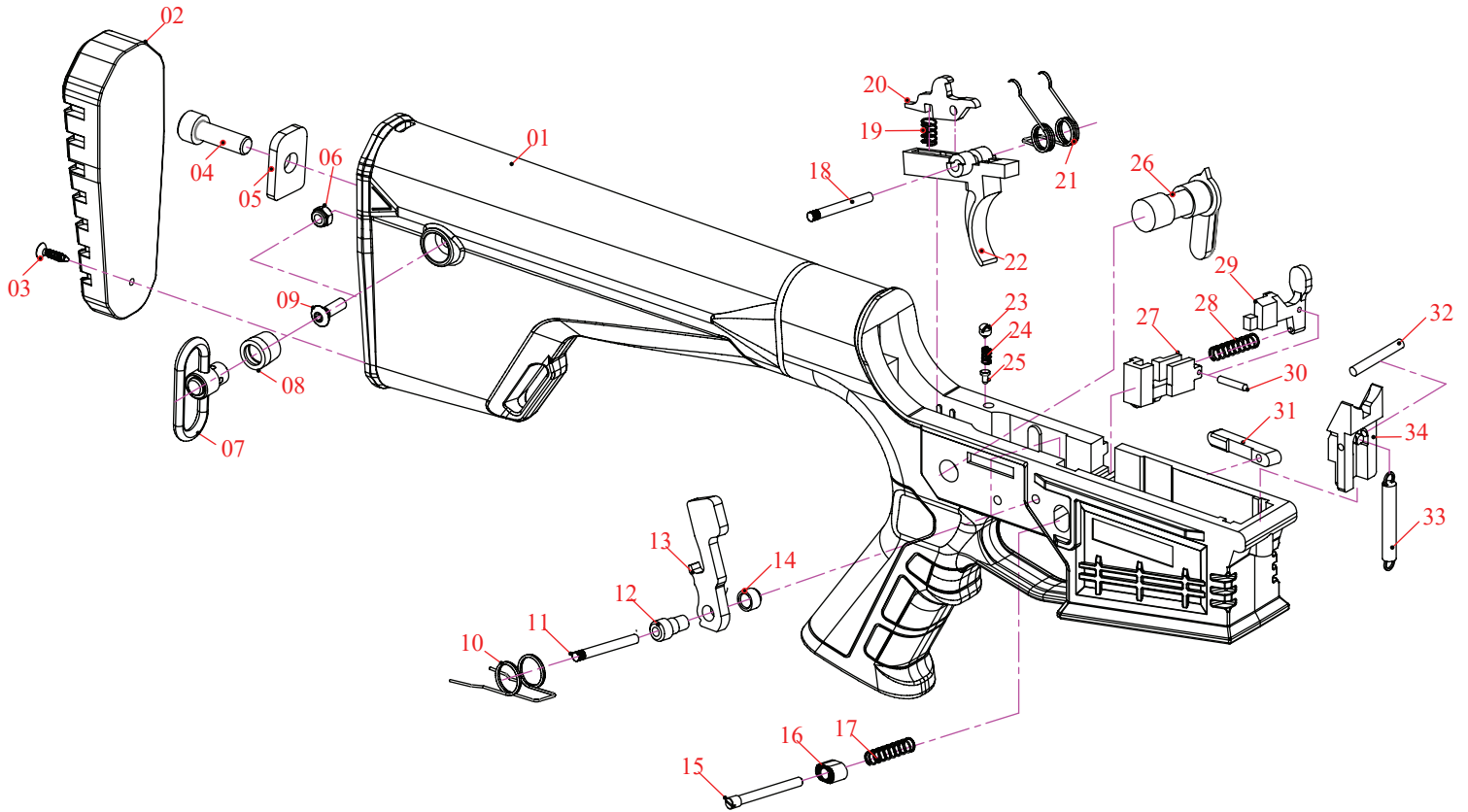




SIERRA DEFENSE HURRICANE SX12 DIAGRAM

SIERRA DEFENSE HURRICANE SX12 DIAGRAM

A1	STOCK	A15	MAGAZINE UPPER PLUG
A2	UPPER FRAME	A16	MAGAZINE UPPER PLUG PIN
A3	OPERATING ROD	A17	MAGAZINE SIDE EXTRACTOR SPRING
A4	OPERATION SPRING	A18	MAGAZINE SIDE EXTRACTOR
A5	BOLT GROUP	A19	MAGAZINE SPRING
A6	BARREL GROUP	A20	MAGAZINE BOTTOM PLUG
A7	HURRICANE SX12 HANDGUARD	A21	SPRING RETAINER KIT
A8	ADJUSTABLE FRONT SIGHT	A22	MAGAZINE
A9	HURRICANE SX12 FLASH HIDER	A23	A.R.S SCREW-1
A10	HANDGUARD RETAINER SPRING	A24	A.R.S SCREW-2
A11	HANDGUARD RETAINER PIN	A25	ADJUSTABLE REAR SIGHT
A12	HANDGUARD RETAINER SCREW	A26	A.R.S RETAINER CAP
A13	HURRICANE SX12 FRONT SWIWEL KIT	A27	A.R.S NUT-1
A14	HANDGUARD NUT	A28	A.R.S NUT-2

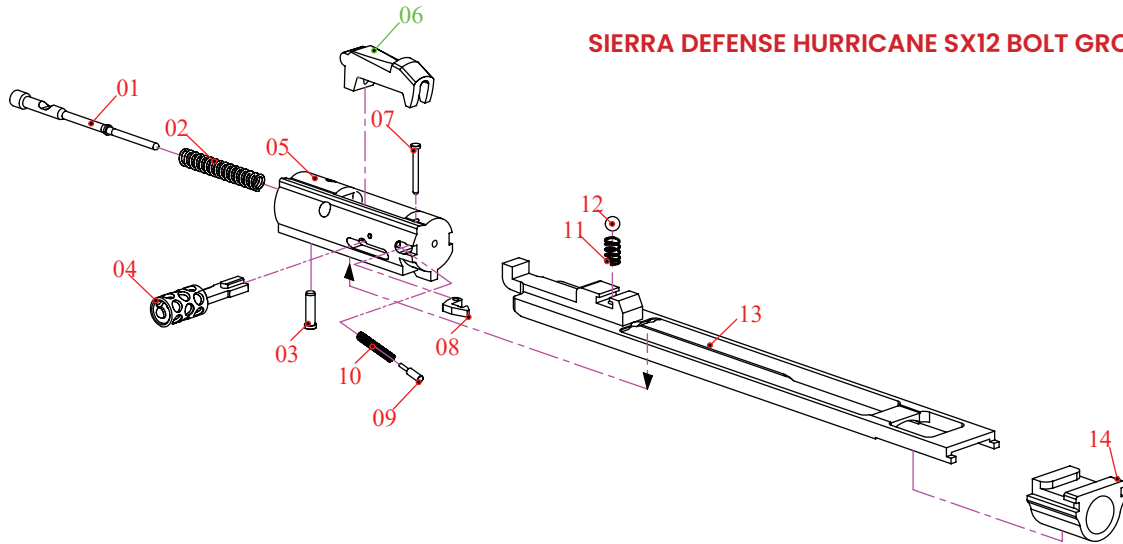


SIERRA DEFENSE HURRICANE SX12 TRIGER GROUP ASSEMBLY

SIERRA DEFENSE HURRICANE SX12 TRIGGER GROUP AND UP RECEIVER

B1	HURRICANE SX12 MONOBLOG STOCK	B18	TRIGGER PIN
B2	HURRICANE SX12 RECOIL PAD	B19	DISCONNECTOR SPRING
B3	RECOIL PAD SCREW	B20	DISCONNECTOR
B4	STOCK FIXING SCREW	B21	TRIGGER SPRING
B5	STOCK FIXING PLATE	B22	HURRICANE SX12 TRIGGER
B6	HURRICANE SX12 SWIVEL FIXING NUT	B23	SAFETY SCREW
B7	HURRICANE SX12 SPECIAL SWIVEL	B24	SAFETY SPRING
B8	HURRICANE SX12 SWIVEL FIXING APARATUS	B25	SELECTOR DETENT
B9	HURRICANE SX12 SWIVEL SCREW	B26	SELECTOR SAFETY
B10	HAMMER SPRING	B27	BOLT CATCH CASE
B11	HAMMER PIN	B28	BOLT CATCH SPRING
B12	HAMMER FIXING CASE	B29	BOLT CATCH
B13	HAMMER	B30	BOLT CATCH PIN
B14	HAMMER RETAINER	B31	MAGAZINE CATCH
B15	MAGAZINE CATCH SCREW	B32	MOBILE FEEDING RAMP LOCK PIN
B16	HURRICANE SX12 MAGAZINE CATCH BUTTON	B33	MOBILE FEEDING RAMP SPRING
B17	MAGAZINE CATCH SPRING	B34	HURRICANE SX12 MOBILE FEEDING RAMP

SIERRA DEFENSE HURRICANE SX12 BOLT GROUP



C1 **FIRING PIN**

C2 **FIRING PIN SPRING**

C3 **FIRING PIN RETAINER**

C4 **HURRICANE SX12 TACTICAL CHARGING HANDLE**

C5 **BOLT**

C6 **BOLT LOCK**

C7 **EXTRACTOR PIN**

C8 **EXTRACTOR**

C9 **EXTRACTOR SPRING PIN**

C10 **EXTRACTOR SPRING**

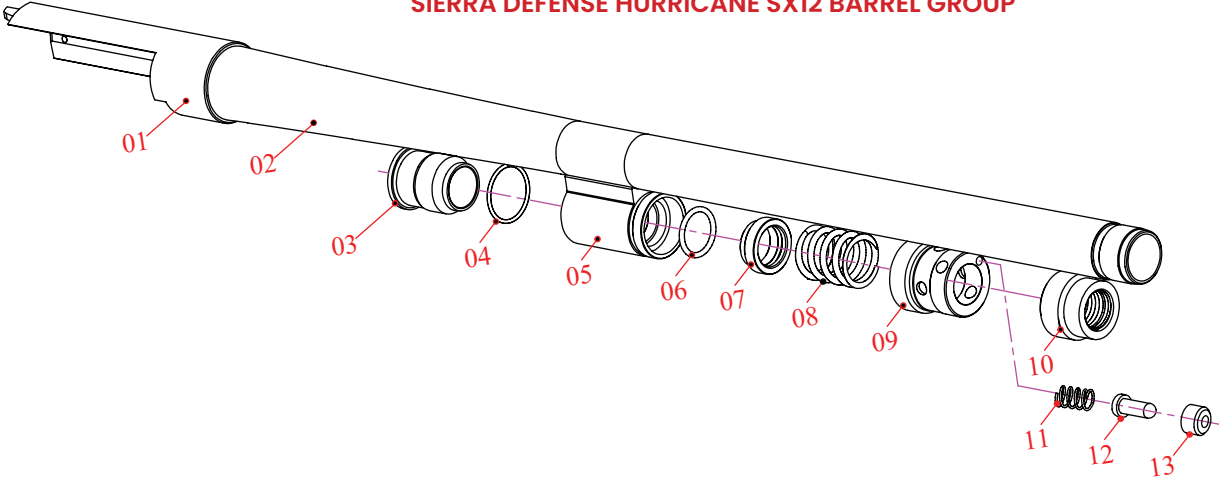
C11 **CARRIER BALL SPRING**

C12 **CARRIER BALL**

C13 **ACTION BAR (CARRIER)**

C14 **ACTION FORWARDER KIT**

SIERRA DEFENSE HURRICANE SX12 BARREL GROUP



D1	BARREL LUG
D2	BARREL
D3	GAS PISTON
D4	PISTON SEGMAN
D5	GAS ROOM
D6	GAS ROOM O-RING
D7	GAS EXTRACTOR PISTON

D8	GAS EXTRACTOR SPRING
D9	GAS EXTRACTOR VALVE
D10	GAS EXTRACTOR NUT
D11	G.E. RETAINER SPRING
D12	G.E. RETAINER PIN
D13	G.E. RETAINER NUT



NAME OF PURCHASER:.....

ADRESS OF PRUCHASER:

CITY: STATE:..... ZIPCODE:.....

MOBILE PHONE:

PURCHASE DATE:

PRODUCT MODEL/NUMBER:

GAUGE:

SERIAL NUMBER:

PURCHASE:

PURCHASE PRICE:

STORE NAME:

SIGNATURE:.....

SIGN AND STAMP OF DEALER

The product has been manufactured by an ISO 9001:2008 and EQA certificated organization.

Printed on ecological paper using solar energy.

SERVICE AGREEMENT AND LIMITED WARRANTY

At SIERRA DEFENSE, we believe in the quality of our firearms, and we want you to as well. Age & wear cannot be covered under warranty, as the mechanical parts and materials that make up firearms eventually wear out. However, defective parts, materials, and workmanship are not acceptable, and we will stand behind our products. We warrant our firearms to be free from defects in performance and workmanship for five years from the date of purchase. If you have a problem that is directly attributable to the quality of our product, it's on us to make it right, shipping and handling included.

However, if you abuse improperly maintain, or alter the internal workings of your SIERRA DEFENSE firearm in any way, we will not warrant damage that occurs. Likewise, if you use improper or incompatible ammunition or parts, we will not warrant damage that occurs. That includes altering a serial number.

If you have a problem with your firearm, please contact SIERRA DEFENSE directly at +90 544 672 97 95 or info@sierradefense.com





sierradefenseusa.com