

HURACAN GT 12

BULLPUP SEMI AUTOMATIC SHOTGUN OWNER MANUAL



VERY IMPORTANT WARNING !!!
NEVER USE THAT SHOTGUN WITHOUT
SHOOTING GLASSES AND HEARING PROTECTOR.



Read the instructions and warnings in this manual before using this firearm!!!

VERY IMPORTANT WARNING !!! NEVER USE THAT SHOTGUN WITHOUT SHOOTING GLASSES AND HEARING PROTECTOR.



SIERRA DEFENSE HURACAN GT12 RECOMMENDATIONS

- Your HURACAN GT12 shotgun uses **2 3/4"** and **3"** shells only.
- We suggest to use 1350 FPS minimum velocity and quality brand ammunition.
- Minimum **1 1/8 oz** shells is suggested.
- 100 rounds of 1350+ FPS ammo for a break in period. Your shotgun will cycle lighter loads well after completing the proper break in period

INTRODUCTION TO SIERRA DEFENSE INDUSTRIES

Sierra Defense Industries has been associated with the top class manufacturers in the firearms industry and is now exporting firearms to 45 different countries. All firearms are subjected to C.I.P. , SAAMI and TSE testing which ensures the highest quality firearms and an emphasis on safety. traditional craftsmanship paired with modern technology has resulted in some of the finest firearms on the market today.

Sierra Defense Industries has built itself around its core philosophy: Superiority in Every Shot!!! an emphasis on research and development has led to multiple patents as well as stunning and innovative design. We are driven by a continued commitment to design that leads the industry.

QUALITY CERTIFICATES:

ISO 9001:2008 Certificate
European Quality Assurance Certificate
Turkish Standards Intitution Certificate

BASIC SAFTEY RULES

1. NEVER POINT A FIREARM AT SOMETHING THAT IS NOT SAFE TO SHOOT.

Never let the muzzle of a firearm point at any part of your body or at another person. This is especially important when loading or unloading the firearm. When you are shooting at a target, know what is behind it. Some bullets can travel over a mile. If you miss your target or if the bullet penetrates the target, it is your responsibility to ensure that the shot does not cause unintended injury or damage.

2. ALWAYS TREAT A FIREARM AS IF IT WERE LOADED.

Never assume that a firearm is unloaded. The only certain way to ensure that a firearm has the chamber empty is to open the chamber and visually and physically examine the inside to see if a round is present. Removing or unloading the magazine will not guarantee that a firearm is unloaded or can not fire. Shotguns and rifles can be checked by removing all rounds and by then opening and inspecting the chamber for so that a visual inspection of the chamber for any remaining rounds.

3. STORE YOUR FIREARM SO THAT CHILDREN CAN NOT GAIN ACCESS TO IT.

It is your responsibility to ensure that children under the age of 18 or other unauthorized persons do not gain access to your firearm. To reduce the risk of accidents involving children, unload your firearm, lock it and store the ammunition in a separate locked location.



Please note that devices intended to prevent accidents - for example, cable locks, chamber plugs, etc, - may not prevent use or misuse of your firearm. Firearm storage in a steel gun safe may be more appropriate to reduce the likelihood of intentional misuse of a firearm by an unauthorized child or person.

4. NEVER SHOOT AT WATER OR AT A HARD SURFACE.


Shooting at the surface of water or at a rock or other hard surface increases the chance of ricochets or fragmentation of the bullet or shot, which can result in the projectile striking an unintended or peripheral target.

5. KNOW THE SAFETY FEATURES OF THE FIREARM YOU ARE USING, BUT REMEMBER: SAFETY DEVICES ARE NOT A SUBSTITUTE FOR SAFE HANDLING PROCEDURES.

Never rely solely on a safety device to prevent an accident. It is imperative that you know and use the safety features of the particular firearm you are handling, but accidents can best be prevented by following the safe handling procedures described in these safety rules and elsewhere in the product manual. To further familiarize yourself with the proper use of this or other firearms, take a Firearms Safety Course taught by an expert in firearms use and safety procedures.

6. PROPERLY MAINTAIN YOUR FIREARM.

Store and carry your firearm so that dirt or lint does not accumulate in the working parts. Clean and oil your firearm, following the instructions provided in this manual, after each use to prevent corrosion, damage to the barrel or accumulation of impurities which can prevent use of the gun in an emergency. Before loading your firearm, always check the barrel internal part and the chamber to ensure that they are clean and free from obstructions. Firing with an obstruction in the barrel or chamber can rupture the barrel and injure you or others nearby. In the event you hear an unusual noise when shooting, stop firing immediately, engage the manual safety and unload the firearm. Make sure the chamber and barrel are free from any obstruction, like a bullet blocked inside the barrel due to defective or improper ammunition.



7. USE PROPER AMMUNITION.

Only use factory loaded, new ammunition manufactured to industry specifications: CIP (Europe and elsewhere), SAAMI® (U.S.A.). Be certain that each round you use is in the proper caliber or gauge and type for the particular firearm. The caliber or gauge of the firearm is clearly marked on the barrels of shotguns and on the slide or barrel of pistols. The use of reloaded or remanufactured ammunition can increase the likelihood of excessive cartridge pressures, case head ruptures or other defects in the ammunition that can cause damage to your firearm and injury to yourself or others nearby.

8. ALWAYS WEAR PROTECTIVE GLASSES AND EARPLUGS WHEN SHOOTING.

The chance that gas, gunpowder or metal fragments will blow back and injure a shooter who is firing a gun is rare, but the injury that can be sustained in such circumstances can be severe, including the possible loss of eye sight. A shooter must always wear impact resistant shooting glasses when firing any firearm. Earplugs or other high quality hearing protectors help reduce the chance of hearing damage from shooting.

9. NEVER CLIMB A TREE, FENCE OR OBSTRUCTION WITH A LOADED FIREARM.

Open and empty the chamber of your firearm and engage the manual safety catch before climbing or descending a tree or before climbing a fence or jumping over a ditch or other obstruction. Never pull or push a loaded firearm toward yourself or another person. Always unload the firearm, visually and physically check to see that the magazine, loading mechanism and chamber are unloaded and that the bolt is open before handing the firearm to another person. Never take a firearm from another person unless it is unloaded, visually and physically checked to confirm it is unloaded, and the action is open.

10. AVOID ALCOHOLIC BEVERAGES OR JUDGEMENT/REFLEX IMPAIRING MEDICATION WHEN SHOOTING.

Do not drink alcohol and shoot. If you take medication that can impair motor reactions or judgment, do not handle a firearm while you are under the influence of the medication.

11. NEVER TRANSPORT A LOADED FIREARM.

Always unload your firearm before transporting.

WE SPECIFICALLY DISCLAIM ANY RESPONSIBILITY FOR DAMAGE OR INJURY OCCURRING IN CONNECTION WITH, OR AS A RESULT OF THE USE OF FAULTY, OR "REMANUFACTURED," OR HAND-LOADED(RELOADED) AMMUNITION. ADDITIONALLY, WE DISCLAIM ANY RESPONSIBILITY FOR DAMAGE OR INJURY WHICH RESULTS FROM ANY MODIFICATIONS OR CHANGES THAT ARE NOT A PART OF THE FIREARM AS DELIVERED FROM THE FACTORY. VERY IMPORTANT WARNING !!! NEVER USE THAT SHOTGUN WITHOUT SHOOTING GLASSES AND HEARING PROTECTOR.

CONGRATULATIONS!!!

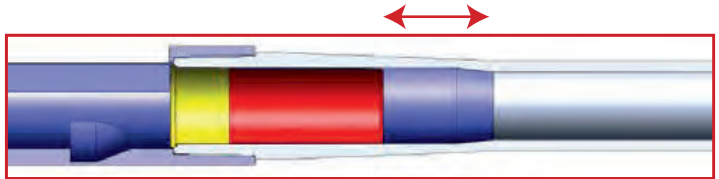
Learn to clean your firearm thoroughly and make certain no oil, grease or other materials are blocking the barrel. Obstructions of any kind can cause damage to the firearm, and may result in serious personal injury to the shooter and/or others nearby. Practice proper firearm maintenance and safety. Make sure all exposed metal surfaces are coated with a thin film of oil, especially after exposure to damp weather. (See proper section of this manual for cleaning instructions. Do not plug barrel or store in a fabric-lined case which will absorb lubricants from the firearm. Before using after storage, follow complete instructions stated in this manual to refamiliarize with the firearm. A thorough inspection should be performed before going into the field. Have your firearm periodically checked by a qualified gunsmith.

You are now the owner of the Sierra Defense HURACAN GT12 SEMI AUTOMATIC 12 gauge shotgun. Your shotgun has an innovative design and is manufactured from high quality materials. With regularly performed maintenance and the use of proper ammunition it will provide you with many years of service. In order to achieve the best performance and reliability from your shotgun, please read and fully understand all of the instructions safety guidelines, and warnings carefully in this manual. Your shotgun is reliable and safe unless it is handled in a careless or irresponsible manner.

REMEMBER: it is imperative that the firearm handler be fully educated and conscious of the importance of executing proper gun safety rules when operating any firearm. Before using or firing with any live ammunition you should know and fully understand your shotgun's parts,function, and operating mechanisms. So carefully read and fully understand all of the information about the parts and procedures of using the shotgun safely and effectively.

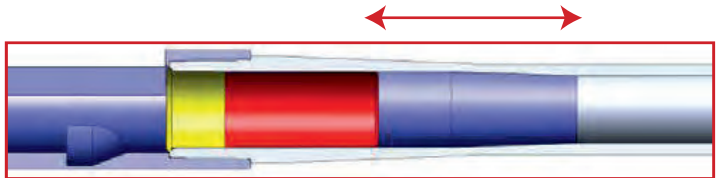
TRADITIONAL FORCING CONE

Traditional shotguns use a short forcing cone. Short forcing cones cause inconsistent cycling, jams and other issues. Short forcing cones lead to excess gas pressure in the barrel and can lead to damage.



HURACAN GT12 FORCING CONE

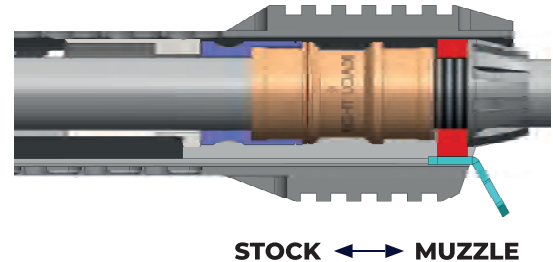
The HURACAN GT12 forcing cone is an elongated design and provides 6% less recoil. It also reduces muzzle rise by evenly dispersing the gas inside the barrel.



USAGE OF SIERRA HURACAN GT12 PATENTED DUAL GAS SYSTEM

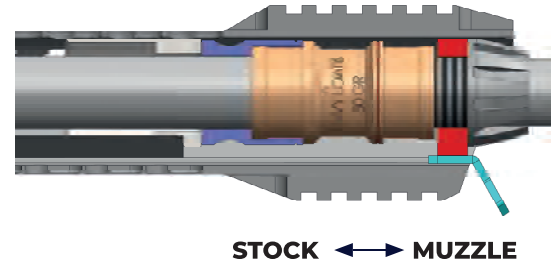
LIGHT LOADS

To set the gas block on light loads (1400 FPS OR LOWER) point the LIGHT LOADS arrow towards the receiver.



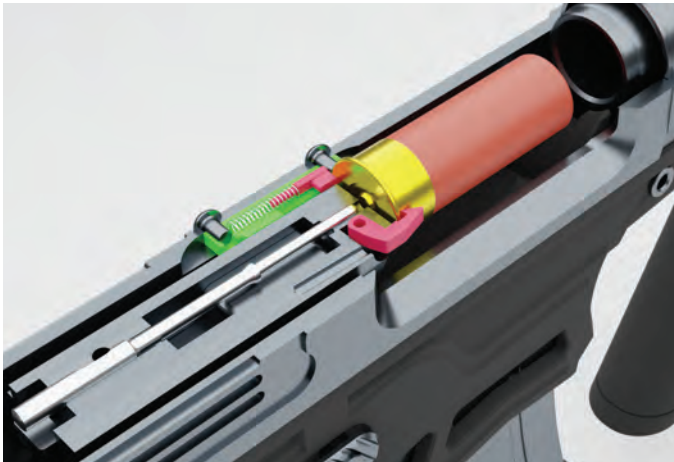
HEAVY LOADS

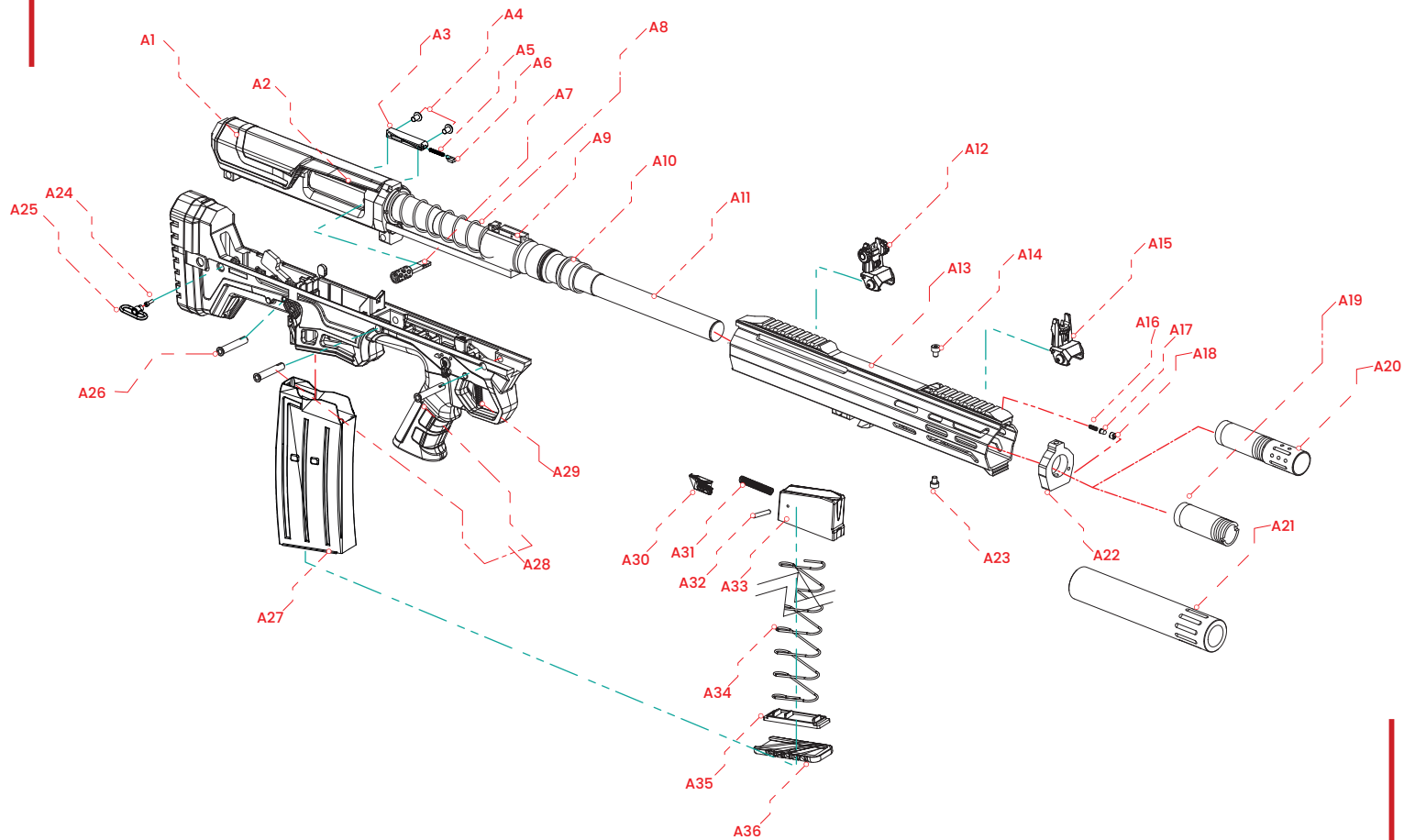
To set the gas block on heavy loads (1400 FPS OR HIGHER) point the HEAVY LOADS arrow towards the receiver.



HURACAN GT12 SPRING EJECTOR SYSTEM

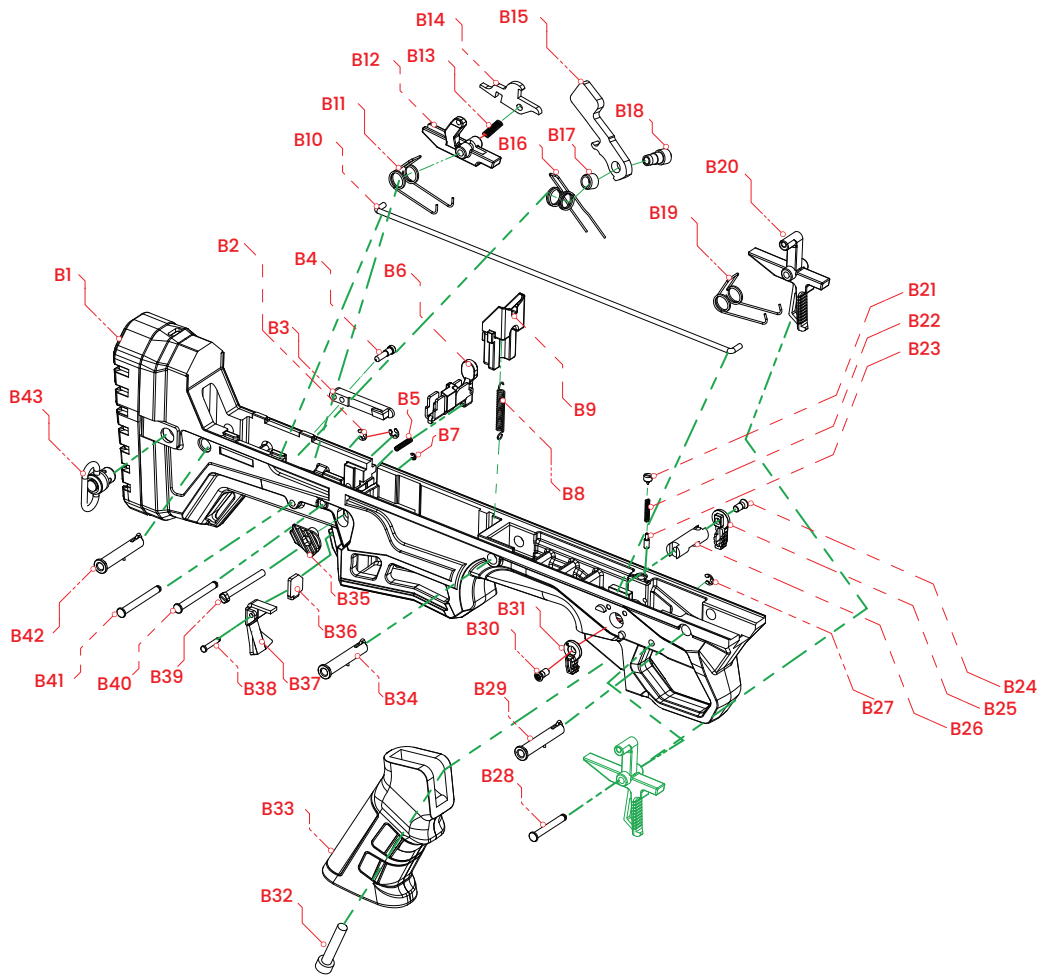
This system provides shooters to use Sierra Defense HURACAN GT12 semi automatic shotgun with variety inch and grammage shells in more healthy way. This system prevents jamming and problems on operation during shooting.






A1	UPPER RECEIVER
A2	CHEEK RISER
A3	SPRING ASSISTED EJECTOR
A4	S.A.E SCREW
A5	S.A.E. SPRING
A6	S.A.E. PIN
A7	AMBIDEXTROUS CHARGING HANDLE
A8	OPERATION SPRING
A9	BOLT CARRIER
A10	DUAL GAS ADJUSTMENT KIT
A11	BARREL
A12	ADJUSTABLE REAR SIGHT
A13	HANDGUARD
A14	HANDGUARD FIXER SCREW
A15	FRONT SIGHT
A16	HANDGUARD FIXER SPRING
A17	HANDGUARD FIXER PIN
A18	HANDGUARD FIXER SCREW


A19	MOBILE CHOKE
A20	EXTENDED MOBILE CHOKE(OPTIONAL)
A21	FAKE SUPPRESSOR (OPTIONAL)
A22	HANDGUARD FIXER BODY
A23	HANDGUARD FIXER SCREW-2
A24	PIN
A25	QD SLING (OPTIONAL)
A26	TAKEDOWN PIN-1
A27	MAGAZINE
A28	TAKEDOWN PIN 2 & 3
A29	TRIGGER
A30	MAGAZINE SIDE EXTRACTOR
A31	MAGAZINE SIDE EXTRACTOR SPRING
A32	MAGAZINE FOLLOWER PLUG PIN
A33	MAGAZINE FOLLOWER
A34	MAGAZINE SPRING
A35	MAGAZINE BOTTOM PLUG FIXER
A36	MAGAZINE BOTTOM PLUG

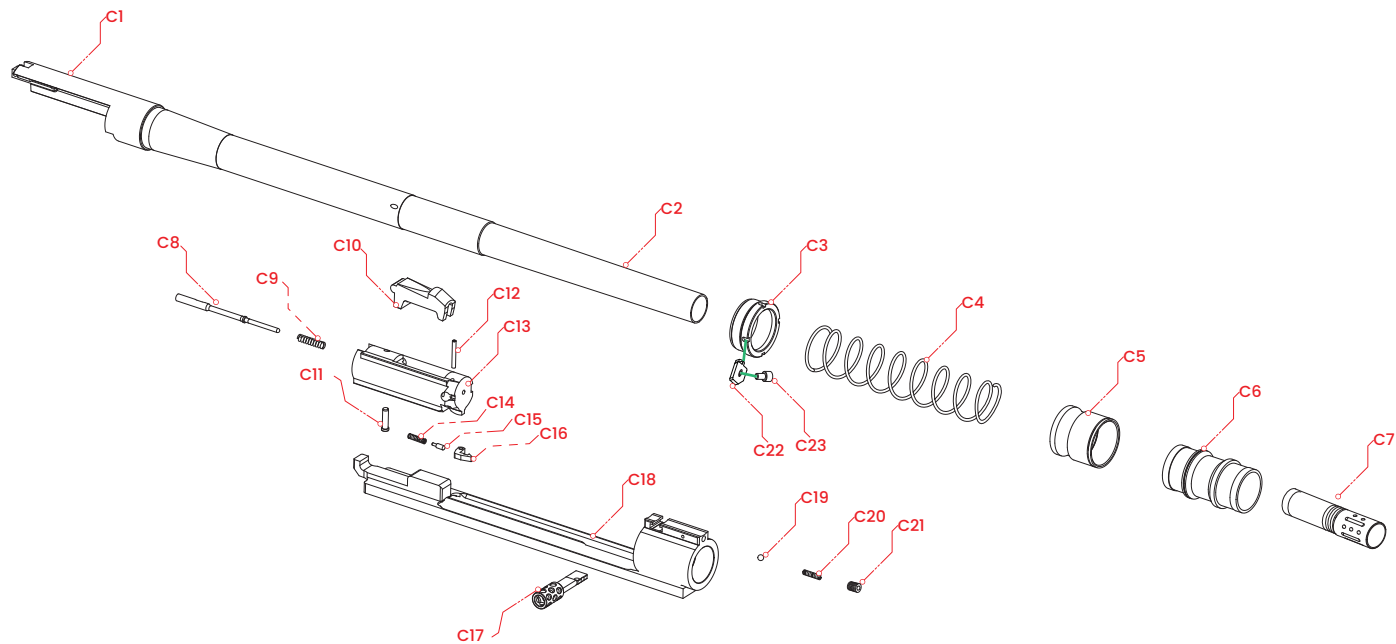





B1	RECOIL PAD
B2	D SEGMAN
B3	MAGAZINE CATCH
B4	MAGAZINE CATCH PIN
B5	BOLT CATCH SPRING
B6	BOLT CATCH
B7	O SEGMAN
B8	FEEDING RAMP SPRING
B9	FEEDING RAMP
B10	TDI FORWARDING BAR
B11	FORWARDED TRIGGER FORK SPRING
B12	FORWARDED TRIGGER BODY
B13	DISCONNECTOR SPRING
B14	DISCONNECTOR
B15	HAMMER
B16	HAMMER FORK SPRING
B17	HAMMER FIXER CASE
B18	HAMMER FIXER PIN
B19	TRIGGER SPRING
B20	TRIGGER
B21	SAFETY FIXER SCREW
B22	SAFETY FIXER SPRING

B23	SAFETY FIXER PIN
B24	SAFETY SCREW LEFT
B25	SAFETY LEFT
B26	SAFETY BODY
B27	D SEGMAN
B28	TRIGGER PIN
B29	TAKEDOWN PIN
B30	SAFETY SCREW RIGHT
B31	SAFETY RIGHT
B32	PISTOL GRIP SCREW
B33	RUBBERIZED PISTOL GRIP
B34	TAKEDOWN PIN
B35	MAGAZINE RELEASE BUTTON
B36	AMBIDEXTROUS MAG RELEASE CARD
B37	AMBIDEXTROUS MAG RELEASE BUTTON
B38	A.M.R. PIN
B39	MAGAZINE RELEASE PIN
B40	HAMMER PIN
B41	FORWARDED TRIGGER PIN
B42	TAKEDOWN PIN
B43	QD SLING (OPTIONAL)








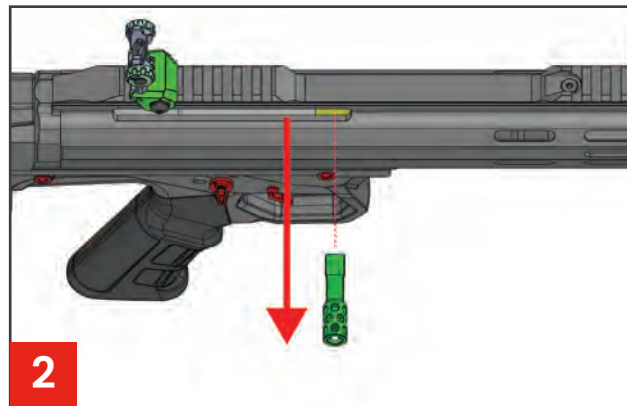
C1	BARREL LUG
C2	BARREL
C3	BARREL NUT
C4	OPERATION SPRING
C5	GAS PISTON
C6	TDI PATTENTED DUAL GAS ROOM
C7	EXTENDED MOBILE CHOKE(OPTIONAL)
C8	FIRING PIN
C9	FIRING PIN SPRING
C10	BOLT LOCK
C11	FIRING PIN FIXER PIN

C12	EXTRACTOR FIXER PIN
C13	BOLT BODY
C14	EXTRACTOR SPRING
C15	EXTRACTOR PIN
C16	EXTRACTOR
C17	AMBIDEXTROUS CHARGING HANDLE
C18	BOLT CARRIER
C19	CHARGING HANDLE FIXER PIN
C20	CHARGING HANDLE FIXER SPRING
C21	CHARGING HANDLE FIXER SPRING
C22	BARREL NUT FIXER LATCH
C23	BARREL NUT FIXER LATCH SCREW(T15)

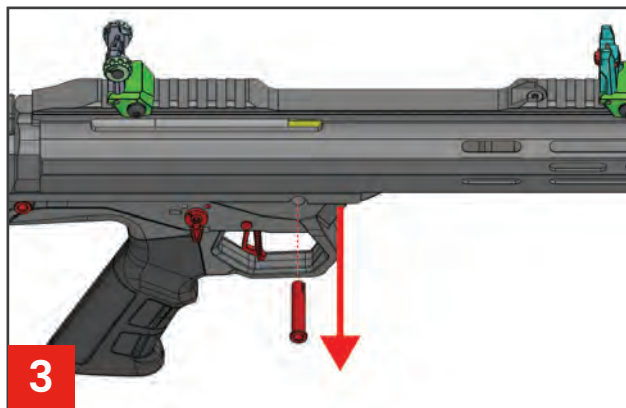




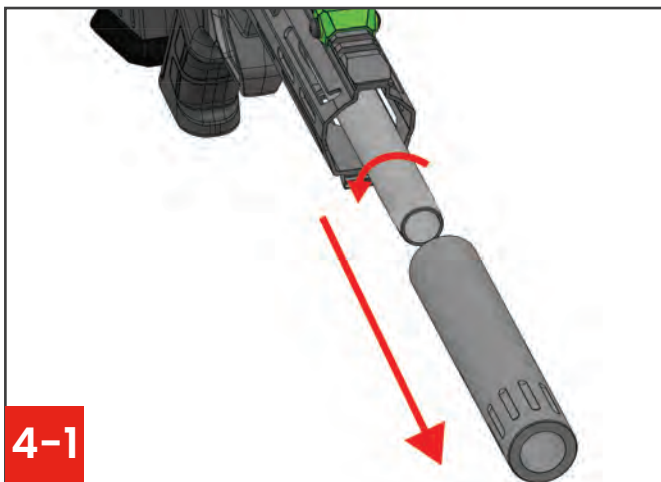
Push the magazine release button and remove the magazine from gun.



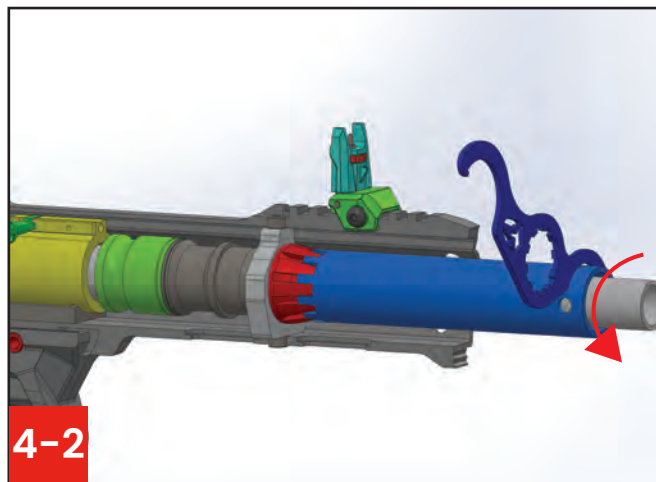
Pull the charging handle as shown in the figure with arrow.



Pull the rear takedown pin to direction of the arrow as shown in the figure.



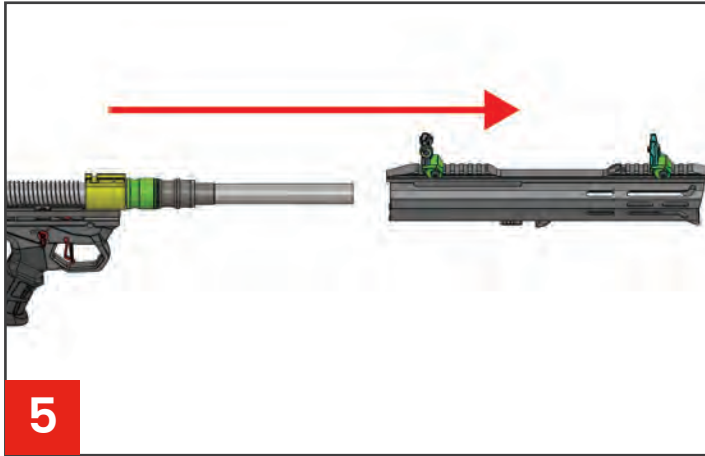
4-1 Turn the fake suppressor anticlockwise as on the diagram and remove fake suppressor.



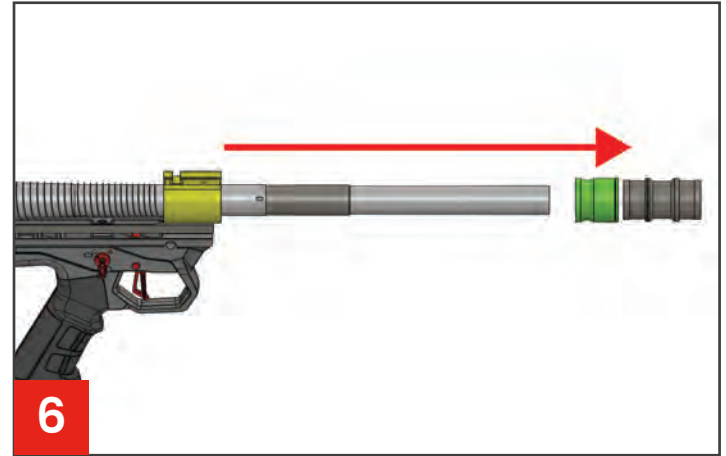
4-1 Turn the fake suppressor anticlockwise as on the diagram and remove fake suppressor.

4-2 If your gun comes without fake suppressor, your gun will have a forend nut inside of forend. For take away forend nut follow these steps:

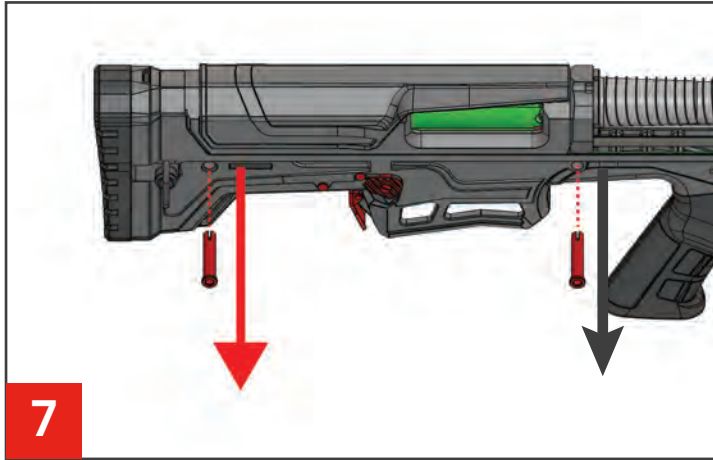
4-2A Use the long wrench with teeth and latch wrench together to turn forend nut to anticlockwise, then remove forend nut.



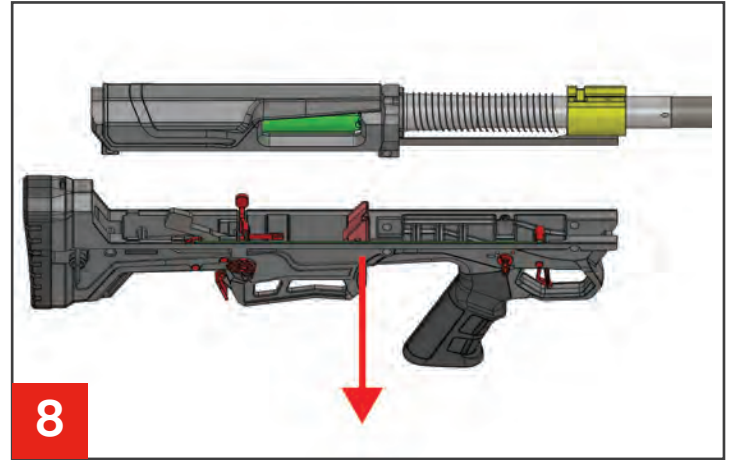
Handguard of your HURACAN GT12 can now be removed easily by sliding it forward. Now your HURACAN GT12 will be ready for cleaning of the gas system and mechanical areas.



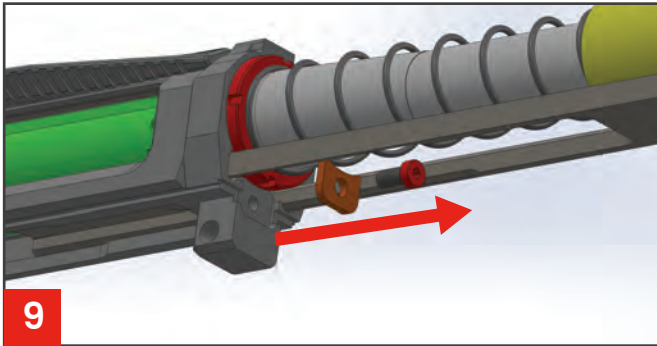
You can remove the dual gas system and gas piston by sliding to the arrow and clean or maintenance your gun. We suggest to clean your gas system per 500 rounds of shot.



We do not suggest to disassemble your upper if it is not a need for your guns performance. If you need to do field maintenance for your gun you can pull the takedown pins back and separate upper and lower frame of your gun.

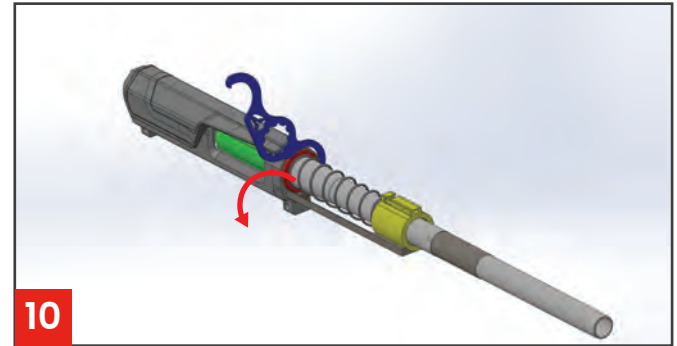


After pulling takedown pins , you can pull lower to arrow direction for disassembly of upper and lower frame.



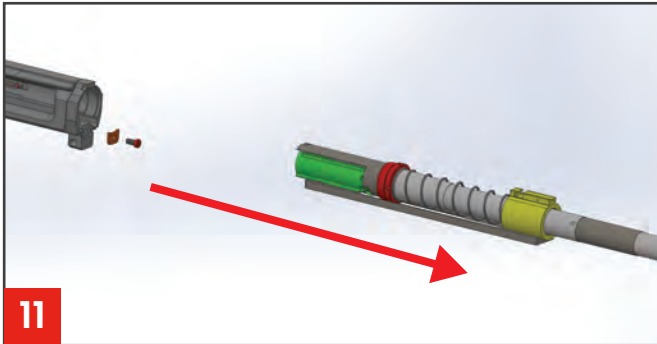
9

Turn barrel fixer nut screw by T15 wrench to anticlockwise, then remove the screw and barrel nut fixer latch as shown in the diagram.



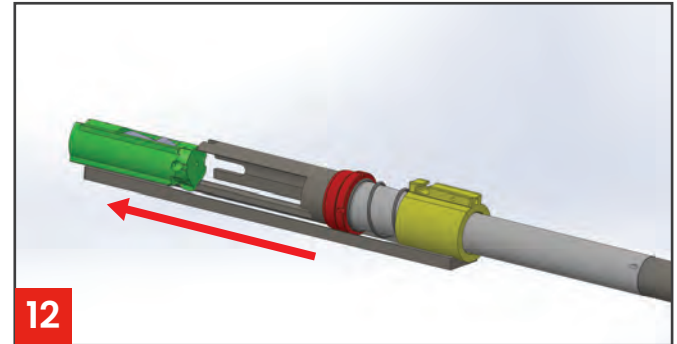
10

Turn barrel nut to anticlockwise with the latch wrench in your box for removing the barrel nut as shown in the diagram.



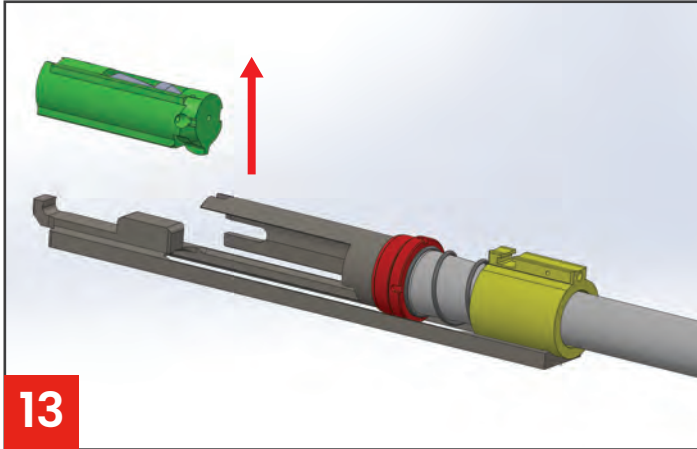
11

You can slide barrel group assembly easily to arrow direction now.

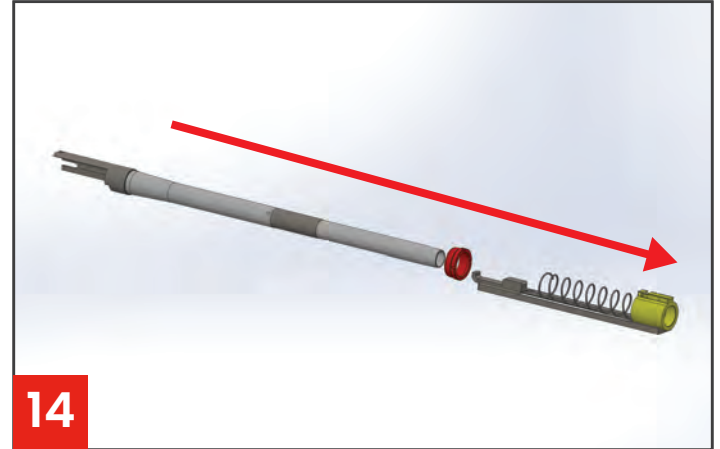


12

Pull back the bolt carrier as on the diagram for removing the bolt body.



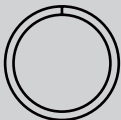
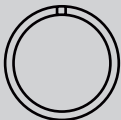
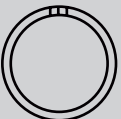
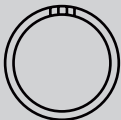
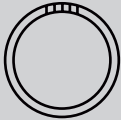
Now you can take out the bolt body to direction of arrow easily.



Pull the operation spring and bolt carrier together to arrow direction for complete disassembly of your HURACAN GT12. For re-assembling your shotgun back after full maintenance, you can follow the exact opposite of these steps.

CHOKE TYPES AND BENEFICIAL USAGE

WARNING: When shooting slugs or buckshot use only the #5 choke.

CHOKE TYPE	SYMBOL	IDEAL GAME	PELLET SIZE	USEFUL SHOOTING DISTANCE
* 1 FULL		Goose, Duck, Wood Grouse. For long range hunting with lead shot and tight groups	1-2-3	55-65 Yards (50-60 Metres)
** 2 IMPROVED MODIFIED		Duck, Pheasant, Wood Grouse, Rabbit	4-5-6	45-50 Yards (41-44 Metres)
*** 3 MODIFIED		Partridge, Pheasant, Quail, Pigeons, Woodcock For long range hunting with lead shot and tight groups.	5-6-7-8	38-43 Yards (35-41 Metres)
**** 4 IMPROVED CYLINDER		Quail, Dove and target shooting For shooter distance more open shooting	7-8-9-10 -11-12	32-38 Yards (30-35 Metres)
***** 5 CYLINDER		For sporting clay and skeet shooting. Short distances more open shooting.	7-8-9-10 -11-12	22-32 Yards (20-30 Metres)

WARNING: HURACAN GT12 includes number 1-3-5 mobile choke in box.

MAINTENANCE AND CLEANING

LUBRICATION WARNING: Firing a shotgun with oil, grease, or other debris partially obstructing the bore may result in damage to the firearm or injury to the shooter and those nearby. Before firing make sure the bore and chamber of the barrel is unobstructed and dry. Never spray or apply lubricant on shotshells. Firing another shotshell behind an obstruction may damage the shotgun and cause death or injury. Only use lubricants properly and sparingly. You are responsible for the proper care and maintenance of your shotgun.

1. Disassemble your shotgun.
2. Using a proper cleaning rod, run a solvent-wetted patch through the bore several times. This will then be followed by running dry patches through the bore to remove any debris or residue.
3. If the bore is leaded to the extent that the above patch cleaning procedure did not remove the lead, then scrub the bore full length with a solvent-wetted brass bristle brush. When the leading is loose then repeat step #2.
4. The surfaces of the bolt carrier, ejector and inside surfaces of the receiver should be coated very lightly with non-penetrating lubricating oil.
5. Reassemble the shotgun and wipe the exterior metal surfaces sparingly with an oiled cloth. Swab the bore with an oily patch before storing the firearm.
6. Place the shotgun in a safe, locked storage space where unauthorized persons cannot access the firearm. Never store the shotgun in a leather case as leather attracts moisture even though it may appear dry.
7. Never fire your gun without choke tubes snugly tightened in barrels. Do not over tighten choke tubes. Wipe all exposed metal surfaces with an oiled cloth before storing. Do not squirt or pour oil into the inside mechanism because it may cause deformation.

SERVICE AGREEMENT AND LIMITED WARRANTY

IMPORTANT WARNING:

In case of a malfunction with your firearm, after taking safety precautions, you can contact our authorized dealer for detailed assistance regarding the malfunction.

IMPORTANT WARNING:

If the malfunction in your firearm is not resolved, you can call our factory technical service at +90 544 672 97 95 for remote assistance or e-mail us at info@sierradefense.com.

IMPORTANT WARNING:

If, after contacting our factory technical service, a malfunction occurs that requires the product to be sent for service, please fill out the form according to the instructions given by our technical service representative and send it to the specified address using our company's Aras Kargo contract code. Include a copy of the official warranty certificate filled out and stamped by our authorized dealer, along with copies of the invoice and license. Shipping costs for products sent to the factory technical service under warranty will be covered by our company if sent with our contracted shipping company. (Shipping costs for out-of-warranty products will be covered by the user. For products still under warranty, shipping costs for malfunctions caused by the customer are the responsibility of the user.)

S A A M I





When shooting or hunting always acquire the permission of the landowner. Respect the land. Do not litter, use gates when possible, leave closed gates closed. Drive vehicles only where advance permission has been granted and always express gratitude for use of another persons land. Offer your labor or game as repayment for the privilege of use. Remember you are helping develop a reputation for all sportsmen/sportswomen.



sierradefenseusa.com



Printed on ecological paper using solar energy